



DC YLF UV/Green Series Nanosecond Lasers

High Power Compact ns Lasers

A pioneer of intracavity generation with over 25 years of manufacturing experience and well over ten thousand shipments worldwide, Photonics Industries offers the broadest nanosecond (ns) YLF UV (351nm) product selection from 0.5W to 35W and YLF Green (527nm) product selection from 1W to 50W.

With its new revolutionary packaging, our new DC Series has smaller form factor while maintaining a higher performance. The DC Air-Cooled Series lasers provide the highest pulse energy from one of the smallest footprint, lightest weight air-cooled industrial ns lasers commercially available in UV and Green.

Owing to key patented technologies, intracavity harmonic generation is inherently a more efficient harmonic conversion that provides unmatched superior beam quality, as well as better beam pointing stability in a simple, compact laser configuration making this laser the perfect tool for precision manufacturing.

Standard feature-rich packed software allowing for adjustable output power using real-time TTL and/or analog control signals enables high quality process optimization all with ease of handling, high throughput, uncompromised process quality and long-term stability in 24/7 applications with a low Cost of Ownership (COO).



PI Advantages

- ❖ High pulse energy air cooled UV and Green ns laser
- ❖ The most compact, most efficient air-cooled laser
- ❖ The highest wall plug efficiency laser:
 - ~10% for green
 - ~6% for UV
- ❖ Patented intracavity UV and Green generation
- ❖ Pulse rep rates from single shot to 10kHz
- ❖ Excellent TEM₀₀ beam with typical M² < 1.2
- ❖ Exceptional Beam Pointing Stability < 25 μrad
- ❖ Monolithic All-In-One (AIO) ns UV and green laser
- ❖ Water cooled option available

Applications

- ❖ Flat Panel Display Repair
- ❖ Glass Marking
- ❖ LED and Medical Package Marking
- ❖ Rapid Prototyping/Stereolithography
- ❖ PCB structuring
- ❖ Marking of Plastic
- ❖ Cutting metals
- ❖ Thin Film Annealing
- ❖ LIDAR
- ❖ MALDI
- ❖ Solar Cell Scribing/Production



Photonics Industries
International, Inc.

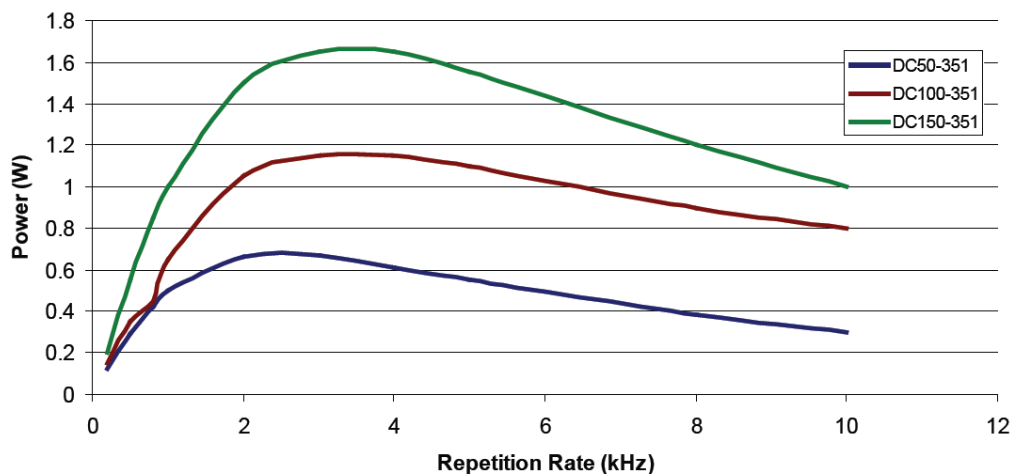
UV System Specifications

Model	DC50-351	DC100-351	DC150-351
Technology		Air-Cooled	
Output Characteristics			
Wavelength		351nm	
Average Power @ 3kHz	500 mW	1 W	1.5 W
Pulse Energy @ 1kHz	0.25 mJ	0.5 mJ	1 mJ
Pulse Width @ 1kHz (nominal)	25 ns	25 ns	20 ns
Repetition Rate		1 Hz to 10 kHz	
Pulse to Pulse Stability		< 3% rms	
Long Term Stability (8 hr)		± 2%	
Beam Characteristics			
Polarization Ratio		Horizontal 100:1	
4σ Beam Diameter @ exit		~0.4 mm	
Beam Divergence (Full Angle Far Field)		< 2 mrad	
Beam Circularity		> 85%	
Spatial Mode	TEM ₀₀ M ² < 1.2		TEM ₀₀ M ² < 1.5
Beam Pointing Stability		< 25 μrad	
Operating Specifications			
Interface	Ethernet / RS 232 / GUI / External TTL Triggering		
Power Consumption (typical)	~50W		~130W
Warm Up Time	< 5 min from standby or cold start		
Electrical Requirement	100 to 240V AC		
Line Frequency	50 to 60 Hz		
Relative Humidity	Non-Condensing, 90% Max		
Ambient Temperature**	15°C to 35°C (59° to 95°F) Operating Range		
Storage Conditions	-10°C to 40°C; Sea level to 12,000 m; 0% to 90% RH, non-condensing		
Physical Characteristics			
Dimensions	8.5" x 5.5" x 4"		11" x 4.88" x 5"
Weight	~6 lbs		~15.5 lbs

*Dimensions given are with air cooled heatsinks. Water cooled heatsink options are available (see dimensional drawings)

**For operation outside this temperature range, please contact us

Performance Curves



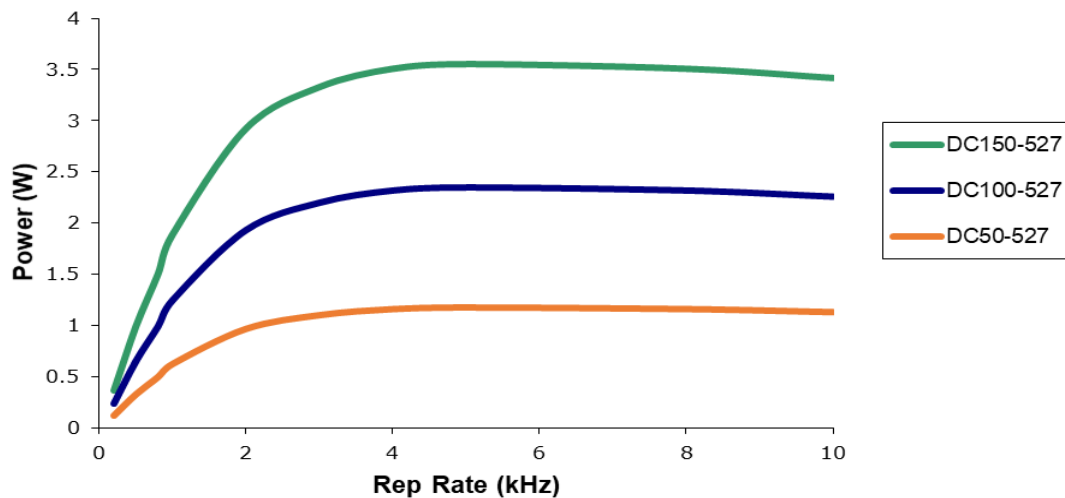
Green System Specifications

Model	DC50-527	DC100-527	DC150-527
Technology		Air-Cooled	
Output Characteristics			
Wavelength		527nm	
Average Power @ 3kHz	1 Watt	2 Watt	3 Watt
Pulse Energy @ 1kHz	0.5mJ	1mJ	1.5mJ
Pulse Width @ 1 kHz (nominal)	30 ns	30 ns	25 ns
Repetition Rate		Single shot to 10 kHz	
Pulse to Pulse Stability		< 3% rms	
Long Term Stability (8 hr)		+/- 3%	
Beam Characteristics			
Polarization Ratio		100:1 Vertical	
4σ Beam Diameter @ exit (nominal)	0.35 mm	0.5 mm	0.7 mm
Beam Divergence (Full Angle Far Field)	< 4 mrad		< 2 mrad
Beam Circularity		>85%	
Spatial Mode		TEM ₀₀ - M ² < 1.2	TEM ₀₀ - M ₂ < 1.3
Beam Pointing Stability		< 50 μrad	
Operating Specifications			
Interface		Ethernet / RS 232 / GUI / External TTL Triggering	
Power Consumption (typical)		~50W	~130W
Warm Up Time		< 5 min from standby or cold start	
Electrical Requirement		100 to 240V AC	
Line Frequency		50 to 60 Hz	
Relative Humidity		Non-Condensing, 90% Max	
Ambient Temperature**		15°C to 35°C (59° to 95°F) Operating Range	
Storage Conditions		-10°C to 40°C; Sea level to 12,000 m; 0% to 90% RH, non-condensing	
Physical Characteristics			
Dimensions		8.5" x 5.5" x 4"	11" x 4.88" x 5"
Weight		~6 lbs	~15.5 lbs

*Dimensions given are with air cooled heatsinks. Water cooled heatsink options are available (see dimensional drawings)

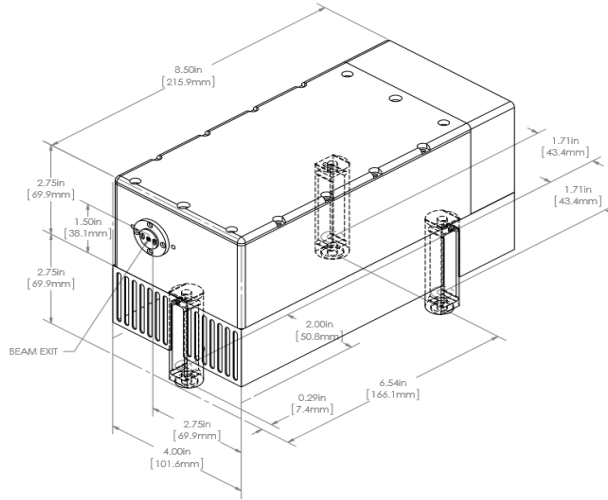
**For operation outside this temperature range, please contact us

Performance Curves



Dimensional Drawings

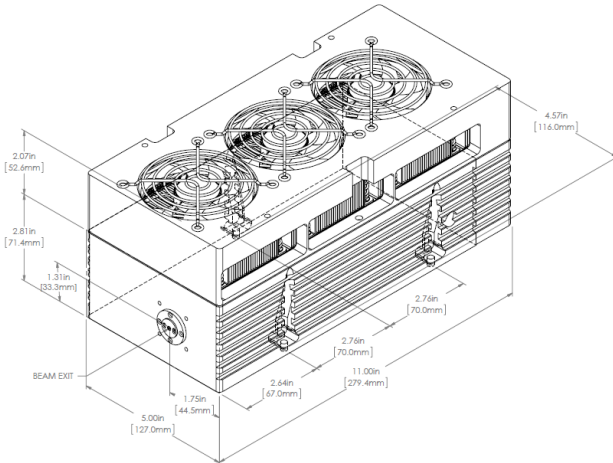
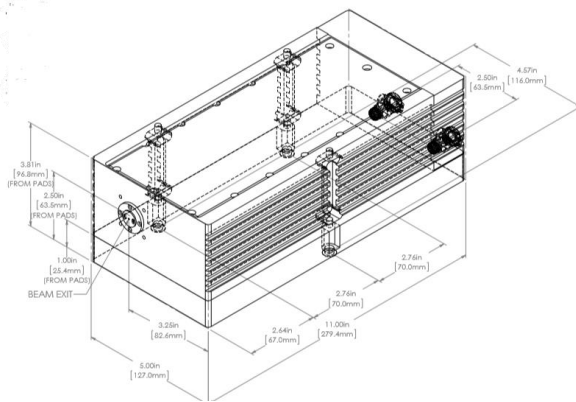
DC50 & DC100 Lasers with air cooled heatsink



DC150 Laser

water cooled version

with air cooled heatsink



1800 Ocean Ave. Ronkonkoma, NY USA 11779
E-Mail: info@photonix.com

Phone: 631-218-2240 Fax: 631-218-2275
Website: www.photonix.com

Due to Photonics Industries' commitment to continuous product improvement, specifications and drawings are subject to change without notice.



Photonics Industries conforms to provisions of US 21 CFR 1040.10 & 1040.11 and is made under one or more US patents listed below: 9,882,335, 9,531,147, 8,817,831, 7,869,471, 7,346,092, 7,082,149, 7,079,557, 6,999,483, 6,980,574, 6,961,355, 6,842,293, 6,762,405, 6,587,487, 6,584,134, 6,366,596, 6,356,578, 6,327,281, 6,246,707, 6,229,829, 6,108,356, 6,061,370, 6,028,620, 5,936,983, 5,898,717 and Pending Patents

Copyright © 2020 by Photonics Industries International, Inc.