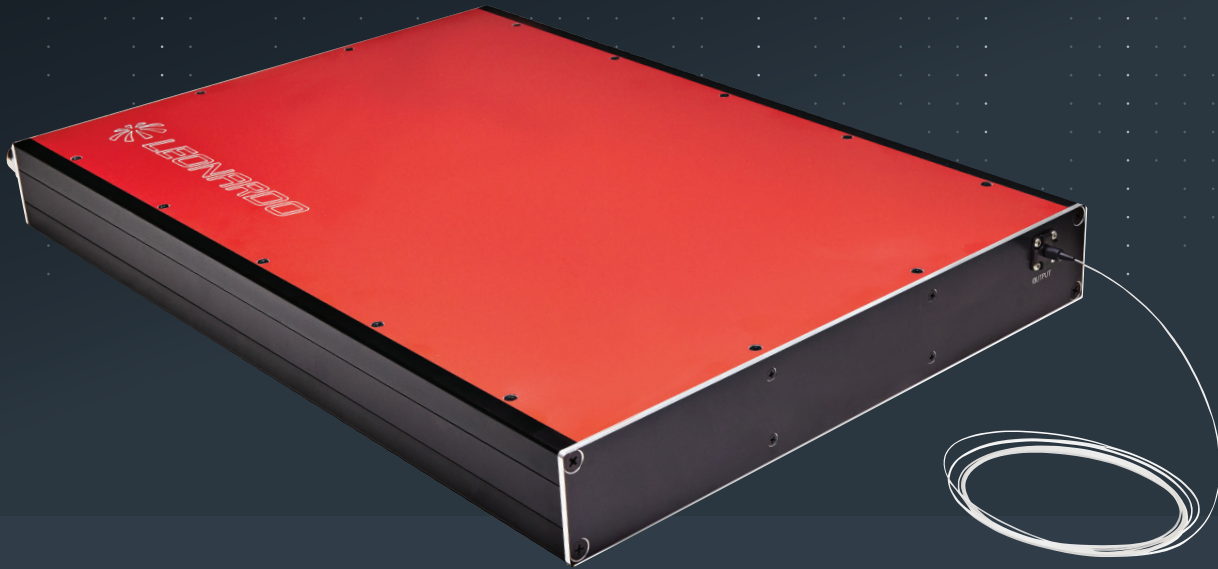


FIBER AMPLIFIER



Leonardo's fiber amplifier is the core building block for fiber laser systems. The A20 is optimized for spectral beam combination and is the first in a series of fiber amplifiers. Leveraging Leonardo's fully integrated US-based manufacturing line, our products are engineered to reliably deliver world-class performance.

KEY FEATURES

- Industrially and military rugged
- Configurations available for spectral or coherent beam combinations
- Low size and weight
- Long operating lifetime
- Integrated electronics and controls

TYPICAL FIBER AMPLIFICATION SPECIFICATIONS

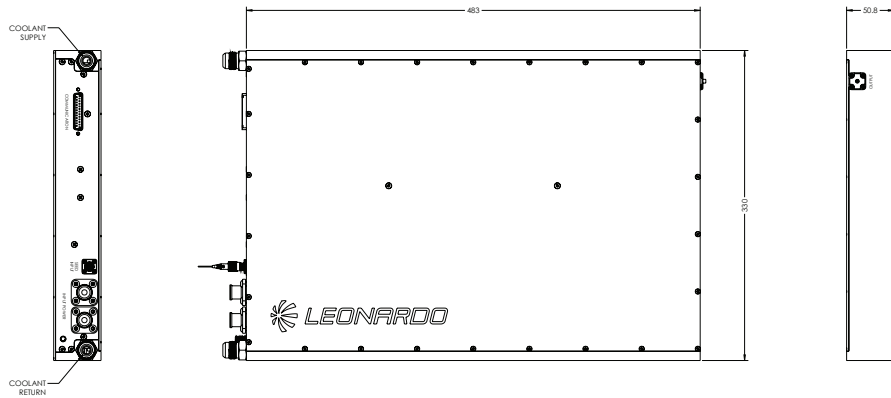
| Description | | |
|--------------|-----------------------|--|
| Product Type | A20 - Fiber Amplifier | |
| Cooling Type | Filtered Water | |

| Typical Parameters (at 20°C) | Units | Typical Value |
|-------------------------------|-------|---------------|
| Optical | | |
| CW Input Signal | mW | 20 |
| CW Output Power | W | 2500 |
| Signal Wavelength Range | nm | 1050 -1080 |
| Linewidth (3dB) | GHz | 30 |
| Electrical-Optical Efficiency | % | 35 |
| Beam Quality (M2) | | ≤1.1 |

| Mechanical | | |
|-----------------------|-----------------|------|
| Package Mass (dry) | kg | 12 |
| Package Volume | cm ³ | 8000 |
| Delivery Fiber Length | m | 1 |
| Fiber Termination | | Bare |
| Coating Diameter | μm | 550 |
| Clad Diameter | μm | 400 |
| Core Diameter | μm | 19 |

| Input Specifications | | |
|----------------------|-----|-----------------|
| Voltage (DC) | VDC | 80 -270 |
| Communication | | Ethernet RS-485 |

MECHANICAL SPECIFICATIONS



Leonardo Electronics US Inc.
 7775 N. Casa Grande Highway
 Tucson, AZ - 85743 - USA
 520 744 5700
 sales@leonardo.us

Patent Numbers:
 US 7,660,335 | US 7,864,825 | US 6,352,873 | US 6,295,307

Certifications:
 AS 9100D Including ISO 9001:2015 Aerospace
 ISO 13485:2016 Medical
 IATF 16949:2016 Automotive
 ISO 14001:2015 Environmental Management System



leonardo.us

