

Description

The AP3190 is a high-performance offline PSR AC/DC power supply controller. It is specially designed for the applications that require the higher efficiency at light load and cost effectiveness. Using the multi-mode control scheme, AP3190 can also achieve high-conversion efficiency with full-load conditions.

At heavy load and low line, AP3190 will operate in QR mode to achieve high performance. When the load is decreasing, it will enter fixed switching frequency operating mode. To optimize product performance, the fixed frequency is different in high line (60kHz) and low line (80kHz). At light load or no load, the IC will operate in burst mode to minimize power consumption.

The AP3190 provides comprehensive protections without additional circuitry. It includes V_{CC} overvoltage protection, output overvoltage protection, output short-circuit protection, etc. AP3190 has adjustable OTP by external NTC resistor. Besides, AP3190 consumes less than 65mW input power at no-load condition with high-line voltage.

AP3190 is packaged in SOT26 (Type SM).

Features

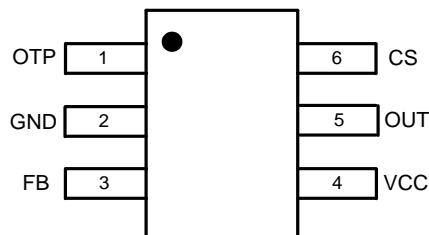
- Burst Mode Operation for Light Load High Efficiency (at 10% Loading > 80%)
- Primary Side Control for Eliminating Optocoupler
- 65mW No-Load Input Power
- Adjustable Overtemperature Protection
- Multiple QR/AM Mode to Improve Audio Noise and Efficiency
- QR for Higher Efficiency and Better EMI
- **Totally Lead-Free & Fully RoHS Compliant (Notes 1 & 2)**
- **Halogen and Antimony Free. "Green" Device (Note 3)**
- **For automotive applications requiring specific change control (i.e. parts qualified to AEC-Q100/101/104/200, PPAP capable, and manufactured in IATF 16949 certified facilities), please [contact us](mailto:contact@diodes.com) or your local Diodes representative. <https://www.diodes.com/quality/product-definitions/>**

Notes:

1. No purposely added lead. Fully EU Directive 2002/95/EC (RoHS), 2011/65/EU (RoHS 2) & 2015/863/EU (RoHS 3) compliant.
2. See <https://www.diodes.com/quality/lead-free/> for more information about Diodes Incorporated's definitions of Halogen- and Antimony-free, "Green" and Lead-free.
3. Halogen- and Antimony-free "Green" products are defined as those which contain <900ppm bromine, <900ppm chlorine (<1500ppm total Br + Cl) and <1000ppm antimony compounds.

Pin Assignments

(Top View)

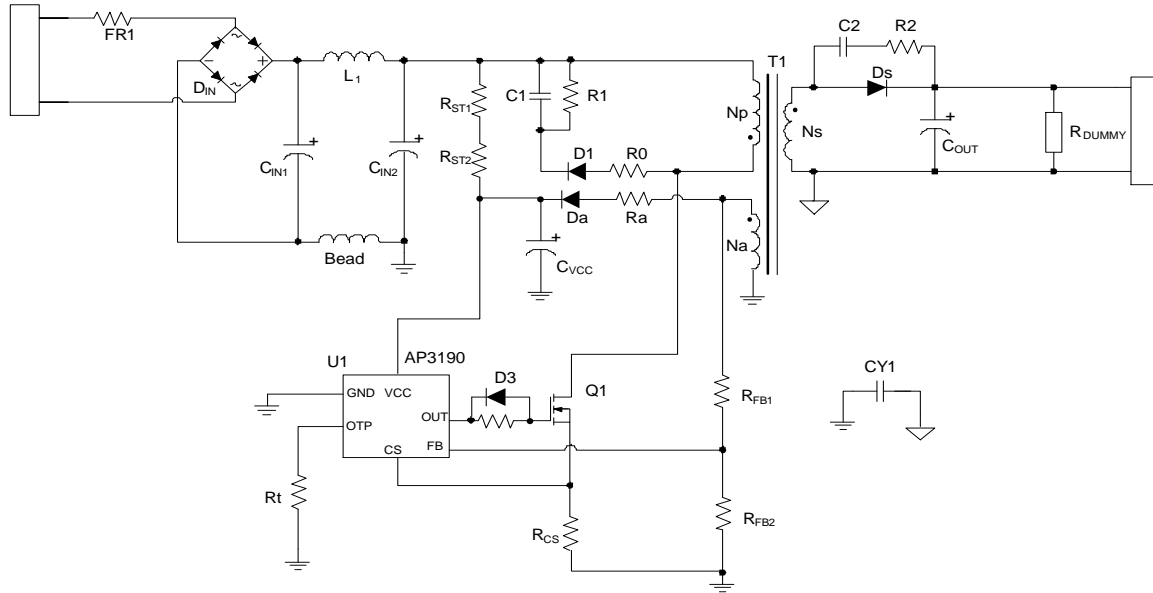


SOT26 (Type SM)

Applications

- Adapters/chargers
- Smart speakers
- Set-top box power supplies
- Network adaptors

Typical Applications Circuit



Pin Descriptions

Pin Number	Pin Name	Function
1	OTP	Adjustable overtemperature protection by external NTC resistor
2	GND	The ground of the controller
3	FB	The CV and CC regulation are realized based on the voltage sampling of this pin.
4	VCC	The VCC pin supplies the power for the IC.
5	OUT	Output pin to drive external MOSFET
6	CS	The CS is the current sense pin of the IC. The IC will turn off the power MOSFET according to the voltage on the CS pin.

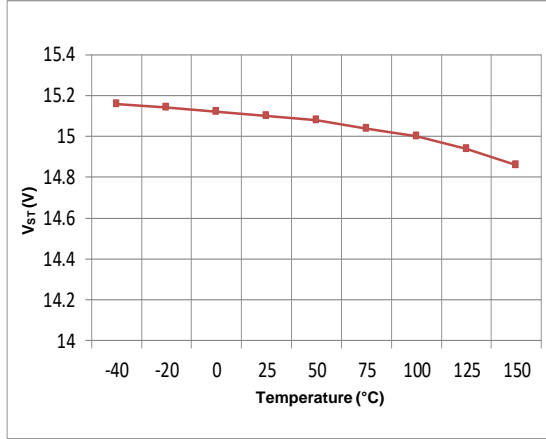
Electrical Characteristics (@V_{CC} = 15V, T_A = +25°C, unless otherwise specified.)

Symbol	Parameter	Condition	Min	Typ	Max	Unit
STARTUP AND UVLO SECTION						
V _{TH_ST}	Startup Threshold	—	13	15	17	V
V _{OPR(MIN)}	Minimum Operating Voltage	—	5.8	6.15	6.5	V
CURRENT SECTION						
I _{ST}	Startup Current	V _{CC} = V _{TH_ST} -1V before Startup	0.009	0.5	1.1	μA
I _{CC_OPR}	Operating Current	Static Current	396	450	502	μA
CURRENT SENSE SECTION						
V _{CS_H}	Maximum Current Sense Threshold Voltage at CV Mode	(Note 6)	968	1100	1232	mV
V _{CS_M}	Medium Current Sense Threshold Voltage at CV Mode	(Note 6)	642	730	818	mV
V _{CS_MAX_BURST}	The Maximum Current Sense Threshold Voltage at Burst Mode	(Note 6)	492	560	628	mV
V _{CS_MIN_BURST}	The Minimum Current Sense Threshold Voltage at Burst Mode	(Note 6)	316	360	403	mV
t _{LEB}	Leading Edge Blanking	—	198	275	352	ns
CONSTANT VOLTAGE SECTION						
V _{FB}	Feedback Threshold Voltage	Test @ 90% of I _{OUT}	2.7	2.74	2.784	V
R _{CABLE}	Cable Compensation Ratio	—	—	2.0	—	%
CONSTANT VOLTAGE SECTION						
V _{REF_CC}	Constant Current Reference	(Note 7)	0.427	0.45	0.473	V
R _{LINE_IC}	Fixed Line Compensation Resistor	—	158	173	189	Ω
DRIVE SECTION (OUT PIN)						
I _{SOURCE_L}	Minimum Drive Current	—	7.9	10.8	13.8	mA
I _{SOURCE_H}	Maximum Drive Current		21.0	27.7	34.3	mA
R _{DSON}	—	—	3.4	3.75	4.1	Ω
MAXIMUM OPERATING FREQUENCY						
f _{SW_MAX}	Maximum Frequency at Low Line	f _{sw} During AM2	72	80	88	kHz
	Maximum Frequency at High Line	f _{sw} During AM2	54	60	66	
SAMPLE TIME						
t _{SAMPLE_H}	Sample Time at I _{ONS}	At Heavy Load (Note 6)	—	67	—	%
t _{SAMPLE_L}		At Light Load (Note 6)	—	51	—	
PROTECTION FUNCTION SECTION						
V _{CC_OVP}	—	—	29	30	31	V
V _{FB_SUVP}	Undervoltage Protection	—	1.617	1.65	1.683	V
t _{SUVP}	Delay Time for SUVP Protection	—	61	64	67	ms
V _{FB_SCP}	Short-Circuit Protection	—	1.07	1.1	1.13	V
t _{SCP}	Delay Time for SCP Protection	—	26	27	28	ms
Internal T _{OTP}	Shutdown Temperature	(Note 6)	—	+150	—	°C
Internal T _{HYS}	Temperature Hysteresis	(Note 6)	—	+40	—	°C
V _{OTP}	External OTP Shutdown Threshold	—	0.48	0.5	0.52	V
V _{OTP_REC}	External OTP Recovery Threshold	—	0.72	0.75	0.78	V
I _{OTP}	External OTP Shutdown Current	—	91.5	100	110	μA

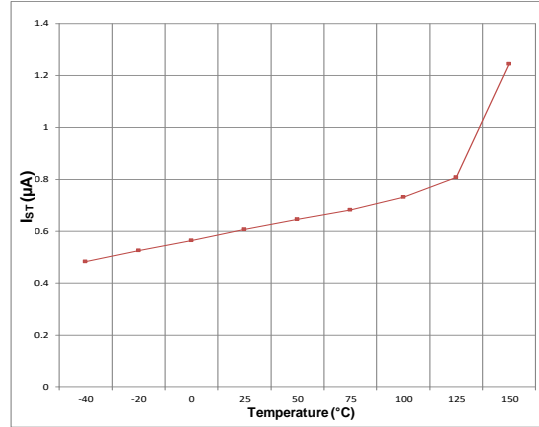
Notes: 6. Guaranteed by design and characterization.
7. V_{REF_CC} is the equivalent of output current (w/o contacting resistor introduced by testing).

Performance Characteristics

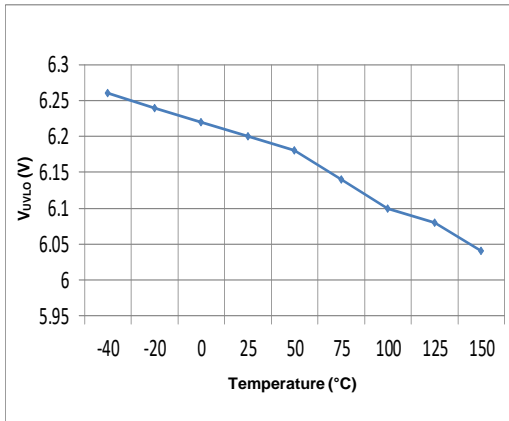
Startup Voltage vs. Temperature



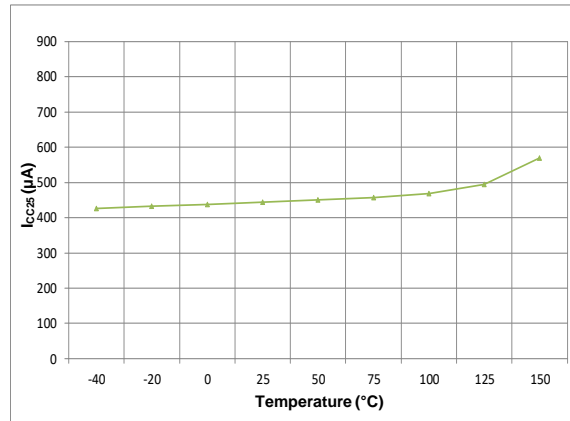
Startup Current vs. Ambient Temperature



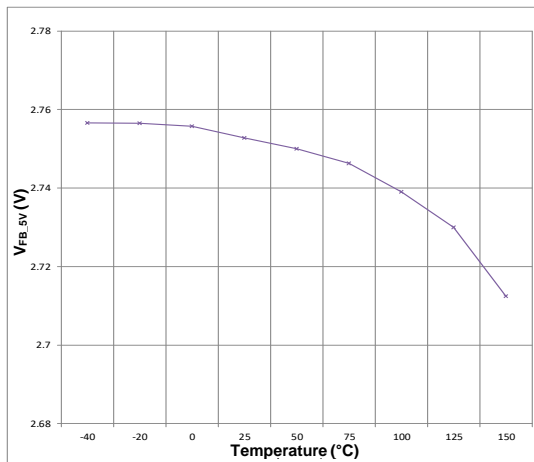
UVLO vs. Temperature



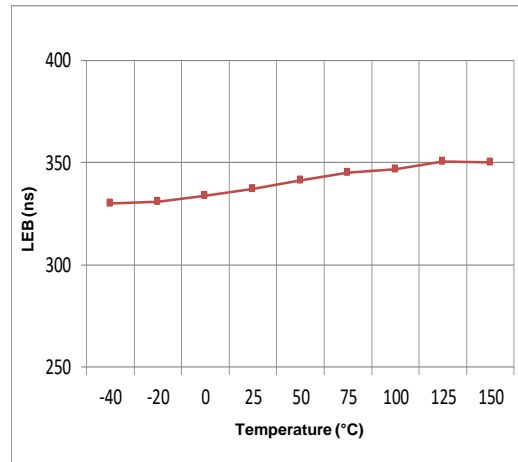
Operating Current vs. Ambient Temperature



Feedback Voltage vs. Ambient Temperature



LEB vs. Ambient Temperature



Operation Description

Constant Voltage Operation

The AP3190 captures the auxiliary winding feedback voltage at FB pin and operates in constant-voltage (CV) mode to regulate the output voltage. Assuming the secondary winding is master, the auxiliary winding is slave during Ds's on-time. The auxiliary voltage is given by:

$$V_{AUX} = \frac{N_{AUX}}{N_S} \cdot (V_O + V_d) \dots \dots \dots (1)$$

Where V_D is Ds forward drop voltage, N_{AUX} is the turns of auxiliary winding, and N_s is the turns of secondary winding.

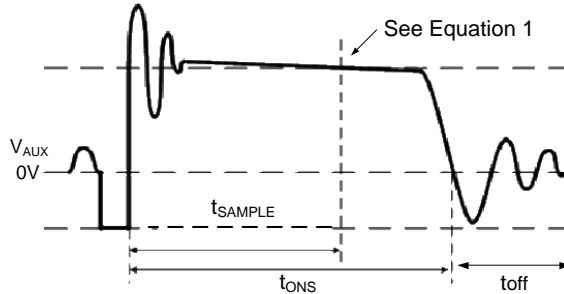


Figure 1. Auxiliary Voltage Waveform

The output voltage is different from the secondary voltage in a diode forward drop voltage V_D which depends on the current. If the secondary voltage is always detected at a constant secondary current, the difference between the output voltage and the secondary voltage will be a fixed V_D . The voltage detection point is at the t_{SAMPLE} of the Ds's on-time. The voltage detection point is changed with the different primary peak current. The CV loop control function of AP3190 then generates a Ds's off-time to regulate the output voltage.

Constant Current Operation

The AP3190 is designed to work in constant current (CC) mode. Figure 2 shows the secondary current waveforms.

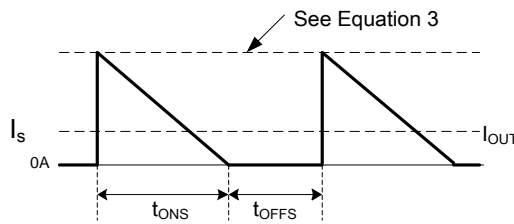


Figure 2. Secondary Current Waveform

In CC operation, the CC loop control function of the AP3190 will keep a fixed produce of the V_{CS} and the proportion between the Ds's on-time t_{ONS} and its off-time t_{OFFS} . This fixed produce is

$$V_{ref_CC} = V_{CS} \cdot \frac{t_{ONS}}{t_{ONS} + t_{OFFS}} \dots \dots \dots (2)$$

The relation between the output constant-current and secondary peak current I_{PKS} is given by:

$$I_{OUT} = \frac{1}{2} \times I_{PKS} \times \frac{t_{ONS}}{t_{ONS} + t_{OFFS}} \dots \dots \dots (3)$$

At the instant of Ds turn-on, the primary current transfers to the secondary at an amplitude of:

$$I_{PKS} = \frac{N_P}{N_S} \cdot I_{PK} \dots \dots \dots (4)$$

Operation Description (continued)

Thus the output constant current is given by:

$$I_{OUT} = \frac{1}{2} \cdot \frac{N_P}{N_S} \cdot \frac{1}{R_{CS}} \cdot V_{ref_CC} \dots\dots\dots (5)$$

Multi-Mode Operation

In CV control, the controller changes the mode of operation according to load condition. The switching frequency curve in Figure 3 shows operation modes. Proprietary CV control can achieve high precision CV control meeting most requirements.

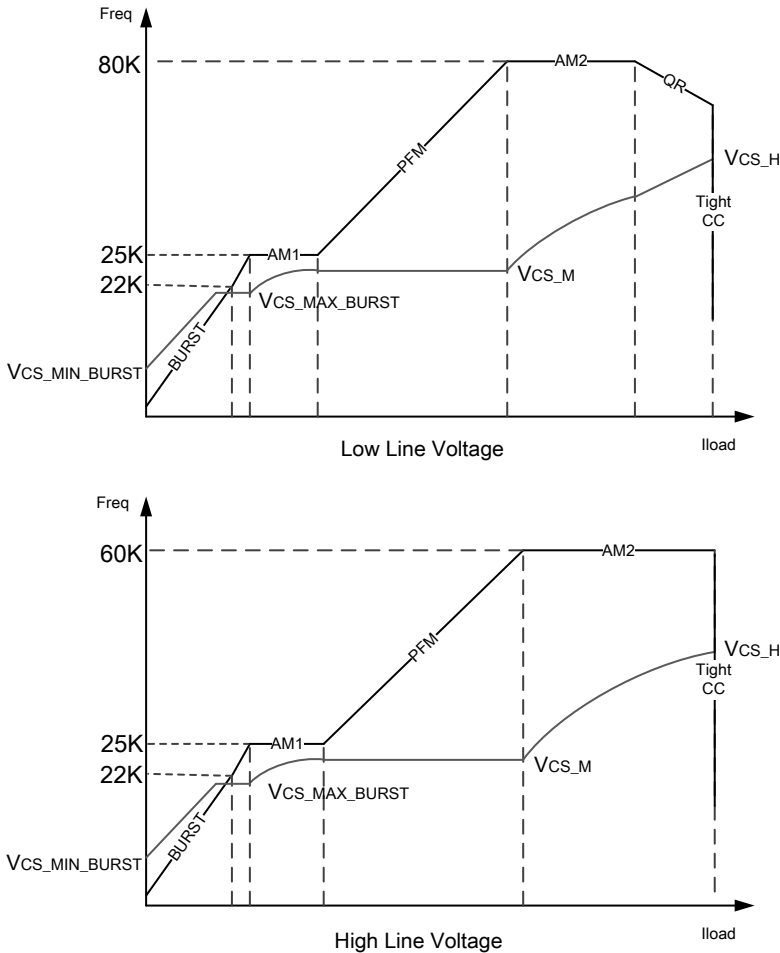


Figure 3. AP3190 Multi-Mode Operation Diagram

Burst Mode

To ensure a good system efficiency at light load, especially 10% of full load condition, AP3190 operates in burst mode to get a lower switching power dissipation.

QR Mode

At low line and heavy load, if the $t_{OFF} = 0$, AP3190 will operate in QR mode. QR is the abbreviation of Quasi-Resonant which is regarded as a soft switching technology. It means that the power MOSFET always turns on at the valley of the Drain-to-Source voltage (V_{DS}). Compared to traditional hard switching, QR switching-on can reduce the switching power loss of MOSFET and achieve good EMI behavior without additional BOM cost. The V_{DS} valley is detected by FB pin.

Operation Description (continued)

Leading Edge Blanking

When the power switch is turned on, a turn-on spike will occur on the sense-resistor. To avoid false-termination of the switching pulse, a 275ns leading-edge blanking (from power BJT or MOSFET on) is built-in. During this blanking period, the current sense comparator is disabled and the gate driver cannot be switched off.

Valley Turn-On

When the off time (t_{OFF}) is lower than t_{VAL-ON} , AP3190 power system can work with valley turn-on. It can reduce BJT or MOSFET switching on power losses which result from the equivalent output capacitance to achieve highest overall efficiency. At the same time, because of valley turn-on the switching frequency has the random jitter feature, which will be benefit for conductive EMI performance. And valley turn-on can also reduce the power switch turn-on spike current and then achieve a better radiated EMI performance.

Adjustable Line Compensation

Since there is a delay time from the CS pin voltage reaching the given V_{CS} reference to the power MOSFET turning off, the real primary peak current value always has a gap with the ideal value. The gap value changes with different input line voltage, which is caused by different current rising slope, resulting in different system constant current value.

In order to eliminate the constant current deviation due to line voltage, the adjustable line compensation is introduced to AP3190 design. The negative voltage of FB pin which is linear to the line voltage is added up to V_{CS} reference by a certain proportion and creates an adjustable compensation voltage to clear up the primary current gap, so that the excellent line regulation of output current will be achieved.

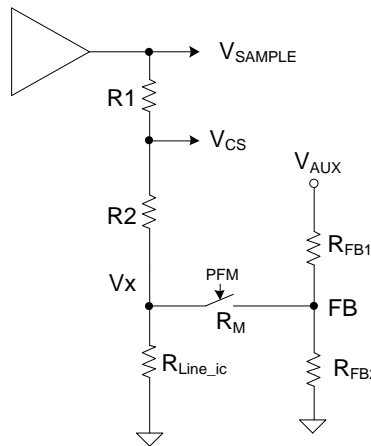


Figure 4. Adjustable Line Compensation Circuit

$$\Delta V_{CS} = - \frac{R_1}{R_1 + R_2} \cdot \frac{N_{AUX}}{N_p} \cdot \frac{R_{Line_ic}}{R_{LC} + R_M + R_{FB1}} \cdot V_{LINE} \dots\dots\dots (6)$$

So, the AP3190 can change the line compensation capability by adjusting the upper resistor at FB pin (R_{FB1}). Higher resistance means lower line compensation capability.

Protection

The AP3190 has various built-in single-point fault protection features: FB overvoltage protection, VCC overvoltage protection, output short-circuit protection, FB open-circuit protection, current sense resistor fault (short or open) protection and overtemperature protection. The fault conditions to trigger these protections are different and all of the protection modes to enter after the protections are triggered are auto-recovery.

Operation Description (continued)

Short-Circuit Protection (SCP)

Short-Circuit Protection (SCP) detection principle is similar to the normal output voltage feedback detection by sensing FB pin voltage. When the detected FB pin voltage is below $V_{FB(SCP)}$ for a duration of about t_{SCP} , the SCP is triggered. Then the AP3190 enters hiccup mode that the IC immediately shuts down and then restarts, so that the VCC voltage changes between V_{TH_ST} and UVLO threshold until $V_{FB(SCP)}$ condition is removed.

As to the normal system startup, the time duration of FB pin voltage below $V_{FB(SCP)}$ should be less than t_{SCP} to avoid entering SCP mode. But for the output short condition or the output voltage below a certain level, the SCP mode should happen.

Overtemperature Protection (OTP)

External OTP

The AP3190 provides external overtemperature protection (OTP) by connecting a Negative-Temperature-Coefficient (NTC) resistor from OTP pin to GND. Internally, a 100 μ A current source is injected to the OTP pin, which generates a voltage proportional to the NTC resistance. At high ambient temperature, the NTC resistance becomes low, which results in a low voltage at the OTP pin. If the OTP pin voltage drops below an internally set threshold, then the OTP is triggered, and the AP3190 shuts down.

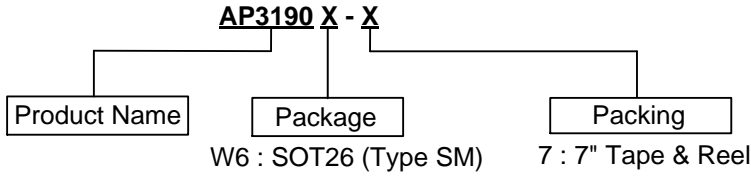
In the AP3190, the external OTP has a built-in hysteresis by having two thresholds. The device will be shut down when the OTP pin voltage is less than 0.5V and will be recovered when the OTP pin voltage is higher than 0.75V.

During startup and burst mode, the OTP function is disabled.

Internal OTP

If the IC junction temperature exceeds the threshold of +150°C, the AP3190 shuts down immediately and enters the hold mode. If the junction temperature decreases to hysteresis temperature of +110°C, the AP3190 can recover to normal operation. If not, the power system keeps the hold mode.

Ordering Information

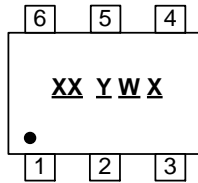


Part Number	Package	Identification Code	Packing	
			Qty.	Carrier
AP3190W6-7	SOT26 (Type SM)	B9	3000	Tape & Reel

Marking Information

SOT26 (Type SM)

(Top View)

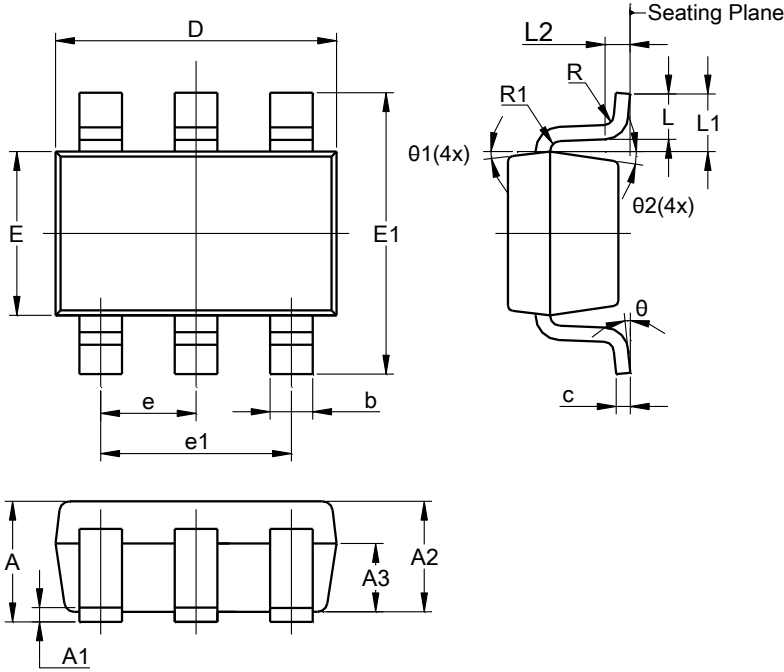


- XX : Identification Code
- Y : Year 0 to 9 (ex: 3 = 2023)
- W : Week : A to Z : week 1 to 26;
a to z : week 27 to 52; z represents week 52 and 53
- X : Internal Code

Package Outline Dimensions

Please see <http://www.diodes.com/package-outlines.html> for the latest version.

SOT26 (Type SM)

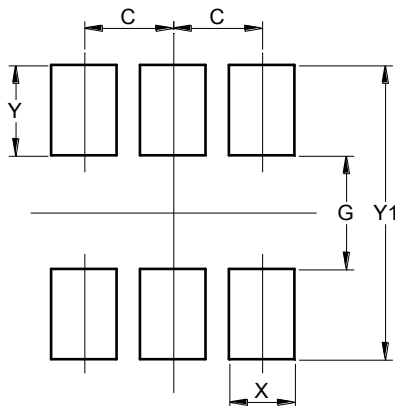


SOT26 (Type SM)			
Dim	Min	Max	Typ
A	--	1.45	--
A1	0.00	0.15	--
A2	0.90	1.30	1.10
A3	0.60	0.70	0.65
b	0.39	0.49	--
c	0.12	0.19	--
D	2.85	3.05	2.95
E	1.55	1.75	1.65
E1	2.60	3.00	2.80
e	0.85	1.05	0.95
e1	1.80	2.00	1.90
L	0.35	0.60	0.45
L1	0.59REF		
L2	0.25BSC		
R	0.05	--	--
R1	0.05	0.20	--
theta	0°	8°	--
theta1	8°	12°	10°
theta2	8°	12°	10°
All Dimensions in mm			

Suggested Pad Layout

Please see <http://www.diodes.com/package-outlines.html> for the latest version.

SOT26 (Type SM)



Dimensions	Value (in mm)
C	0.950
G	1.250
X	0.700
Y	0.975
Y1	3.200

Mechanical Data

- Moisture Sensitivity: Level 3 per JESD22-A113
- Terminals: Finish – Matte Tin Plated Leads, Solderable per JESD22-B102 (e3)
- Weight: 0.018 grams (Approximate)

IMPORTANT NOTICE

1. DIODES INCORPORATED (Diodes) AND ITS SUBSIDIARIES MAKE NO WARRANTY OF ANY KIND, EXPRESS OR IMPLIED, WITH REGARDS TO ANY INFORMATION CONTAINED IN THIS DOCUMENT, INCLUDING, BUT NOT LIMITED TO, THE IMPLIED WARRANTIES OF MERCHANTABILITY, FITNESS FOR A PARTICULAR PURPOSE OR NON-INFRINGEMENT OF THIRD PARTY INTELLECTUAL PROPERTY RIGHTS (AND THEIR EQUIVALENTS UNDER THE LAWS OF ANY JURISDICTION).
2. The Information contained herein is for informational purpose only and is provided only to illustrate the operation of Diodes' products described herein and application examples. Diodes does not assume any liability arising out of the application or use of this document or any product described herein. This document is intended for skilled and technically trained engineering customers and users who design with Diodes' products. Diodes' products may be used to facilitate safety-related applications; however, in all instances customers and users are responsible for (a) selecting the appropriate Diodes products for their applications, (b) evaluating the suitability of Diodes' products for their intended applications, (c) ensuring their applications, which incorporate Diodes' products, comply the applicable legal and regulatory requirements as well as safety and functional-safety related standards, and (d) ensuring they design with appropriate safeguards (including testing, validation, quality control techniques, redundancy, malfunction prevention, and appropriate treatment for aging degradation) to minimize the risks associated with their applications.
3. Diodes assumes no liability for any application-related information, support, assistance or feedback that may be provided by Diodes from time to time. Any customer or user of this document or products described herein will assume all risks and liabilities associated with such use, and will hold Diodes and all companies whose products are represented herein or on Diodes' websites, harmless against all damages and liabilities.
4. Products described herein may be covered by one or more United States, international or foreign patents and pending patent applications. Product names and markings noted herein may also be covered by one or more United States, international or foreign trademarks and trademark applications. Diodes does not convey any license under any of its intellectual property rights or the rights of any third parties (including third parties whose products and services may be described in this document or on Diodes' website) under this document.
5. Diodes' products are provided subject to Diodes' Standard Terms and Conditions of Sale (<https://www.diodes.com/about/company/terms-and-conditions/terms-and-conditions-of-sales/>) or other applicable terms. This document does not alter or expand the applicable warranties provided by Diodes. Diodes does not warrant or accept any liability whatsoever in respect of any products purchased through unauthorized sales channel.
6. Diodes' products and technology may not be used for or incorporated into any products or systems whose manufacture, use or sale is prohibited under any applicable laws and regulations. Should customers or users use Diodes' products in contravention of any applicable laws or regulations, or for any unintended or unauthorized application, customers and users will (a) be solely responsible for any damages, losses or penalties arising in connection therewith or as a result thereof, and (b) indemnify and hold Diodes and its representatives and agents harmless against any and all claims, damages, expenses, and attorney fees arising out of, directly or indirectly, any claim relating to any noncompliance with the applicable laws and regulations, as well as any unintended or unauthorized application.
7. While efforts have been made to ensure the information contained in this document is accurate, complete and current, it may contain technical inaccuracies, omissions and typographical errors. Diodes does not warrant that information contained in this document is error-free and Diodes is under no obligation to update or otherwise correct this information. Notwithstanding the foregoing, Diodes reserves the right to make modifications, enhancements, improvements, corrections or other changes without further notice to this document and any product described herein. This document is written in English but may be translated into multiple languages for reference. Only the English version of this document is the final and determinative format released by Diodes.
8. Any unauthorized copying, modification, distribution, transmission, display or other use of this document (or any portion hereof) is prohibited. Diodes assumes no responsibility for any losses incurred by the customers or users or any third parties arising from any such unauthorized use.
9. This Notice may be periodically updated with the most recent version available at <https://www.diodes.com/about/company/terms-and-conditions/important-notice>

The Diodes logo is a registered trademark of Diodes Incorporated in the United States and other countries.
All other trademarks are the property of their respective owners.
© 2023 Diodes Incorporated. All Rights Reserved.

www.diodes.com